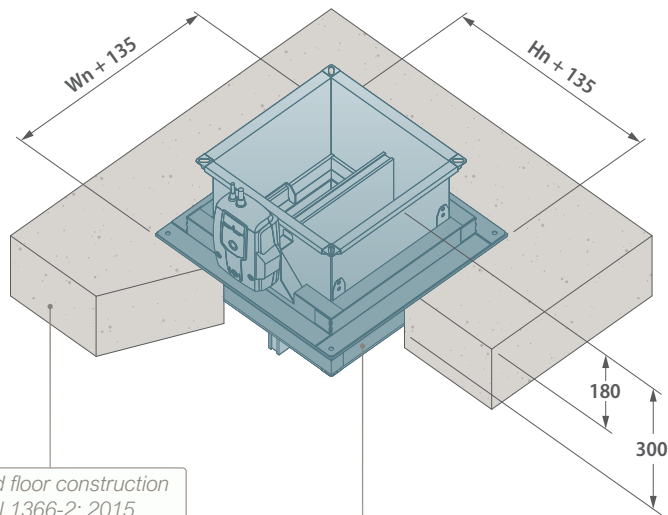
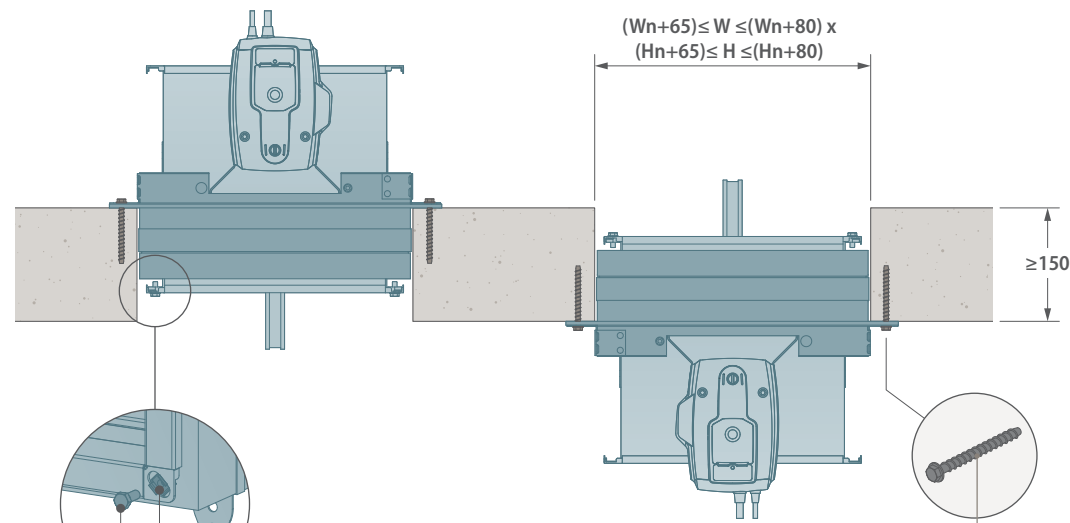
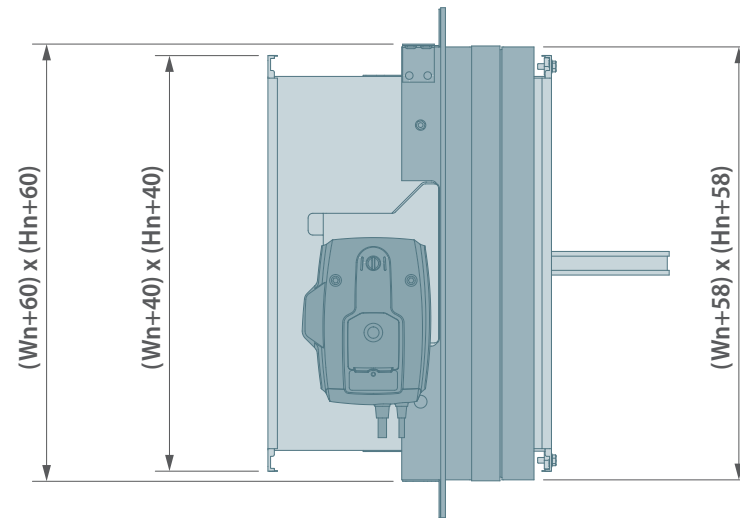


**CU-LT-1S FIRE DAMPER**



Standard floor construction to BS EN 1366-2: 2015. Aerated concrete (density 650 +/- 200 kg/m³).

CU-LT-1S fire damper



Bolt M6 (incl.) Cage nut M6 (incl.)

Bolt M6 × 80 mm to be fitted into the provided openings in the flange (max. 7pc. for the largest damper size).

**TECHNICAL FEATURES**

- Damper range (WxH): 200x100 till 800x600.
- Damper can be installed with mechanism on either side of the supporting construction (independent of fire side).
- To be read in conjunction with the CU-LT-1S Fire Damper Technical Datasheet.
- Guidelines acc. to DW144/145 (not required for CE):
  - Provide appropriate break-away / flexible joint between fire damper and connecting ductwork on both sides of the assembly (DW145: eg socket & spigot or flanged with appropriate fixings eg plastic cleats, clips, clamps, bolts, aluminium alloy rivets etc.).
  - Provide a panel in the adjacent ductwork to allow access to the internal components of the fire damper. Rf-T can provide an inspection opening on the damper body upon request (option UL).
  - Ductwork must be independently supported and installed (DW144).
- Dimensions in mm unless otherwise stated.

**TECHNICAL DATASHEET**



**INSPECTION AND HANDOVER CHECK LIST**



**PLAN TITLE**

CU-LT-1S fire damper in rigid horizontal supporting construction.

**CLASSIFICATION**

EI 120 (ho i↔o)S



REV  
A

DATE  
10/01/2025

